

**ALVERSOR**  
—ALUMINIUM BOATS—



# ALVERSOR

— ALUMINIUM BOATS —



Love2sail d.o.o



[www.love2sail.hr](http://www.love2sail.hr)



+385 91 9139 060



[info@love2sail.hr](mailto:info@love2sail.hr)



Croatia, Vinkovci

# Engineering. Quality. Individuality.

We manufacture aluminum boats where engineering precision, refined aesthetics, and an individual approach come together.

Our boats are designed for operation on all types of waters — sea, rivers, and lakes — without compromise in strength, appearance, or durability.

All Love2Sail boats are built from marine-grade aluminum alloy **ALMg 4.5 (5083, H111)**, a material widely recognized as a benchmark in modern boatbuilding.

The minimum hull thickness is **4 mm** and above, ensuring high structural rigidity, excellent durability, and reliable performance even under intensive use.

Particular attention is given to the quality of the exterior hull finishing.

The final surface treatment is executed to such a high standard that the hull is visually indistinguishable from gelcoat-finished boats. All external welds are meticulously processed and refined, resulting in a clean, seamless, and visually flawless appearance.

We follow a philosophy of individual customization — every boat is built with consideration of the client's specific requirements, operating conditions, and personal preferences.

All models are certified under Module A1 and approved for commercial use.

The boats are officially certified and registered with the Croatian Register of Shipping, confirming full compliance with applicable safety, quality, and operational standards.

## **Standard equipment includes:**

- basic epoxy hull coating (color selectable);
- engine installation preparation;
- steering system and control components;
- navigation lights;
- electrical wiring with control panel;
- cleats;
- fuel tank;
- anode protection suitable for both saltwater and freshwater use.
- 

## **Optional equipment and customization:**

- metallic paint finishes with the desired visual effect;
- individually tailored interior design;
- full personalization according to the owner's taste and intended use.
- 

**Love2Sail aluminum boats combine technical excellence, refined visual finish, and certified reliability — built to meet the highest expectations.**

# Fulmen 550



# Fulmen 550

- 🔧 Design Category: D
- 🔧 Overall length (m): 5,9
- 🔧 Hull length (m): 5,5
- 🔧 Beam (m): 1,81
- 🔧 Number of person: 6
- 🔧 Maximum recommended load (kg): 600
- 🔧 Recommended engine power (kW): 55
- 🔧 Fuel tank (l): 70

Price from 10 200 euros excl. VAT,  
without engine



# Uni 545-S



# Uni 545-S

- 🔧 Design Category: C
- 🔧 Overall length (m): 5,9
- 🔧 Hull length (m): 5,45
- 🔧 Beam (m): 1,99
- 🔧 Number of person: 6
- 🔧 Maximum recommended load (kg): 595
- 🔧 Recommended engine power (kW): 55
- 🔧 Fuel tank (l): 75

Price from 13 000 euros  
excl. VAT, without engine



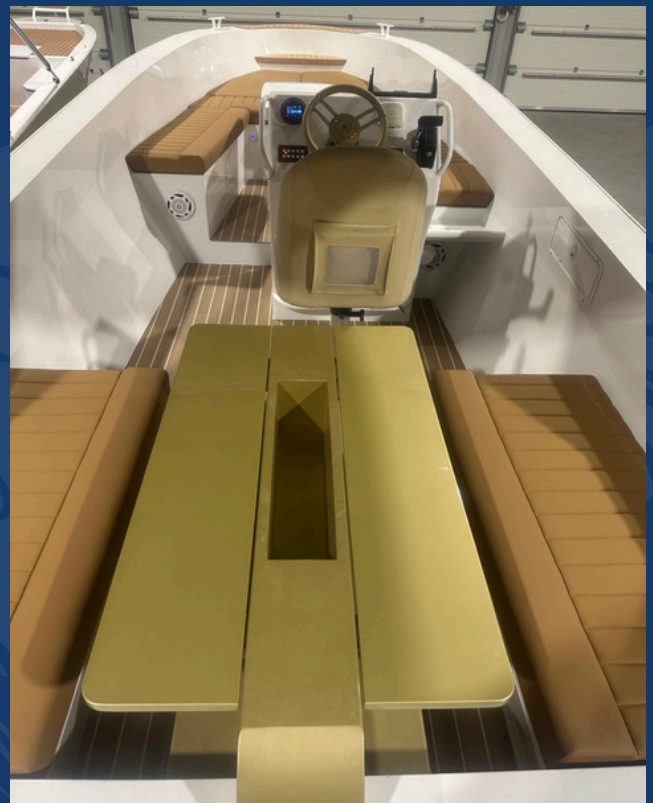
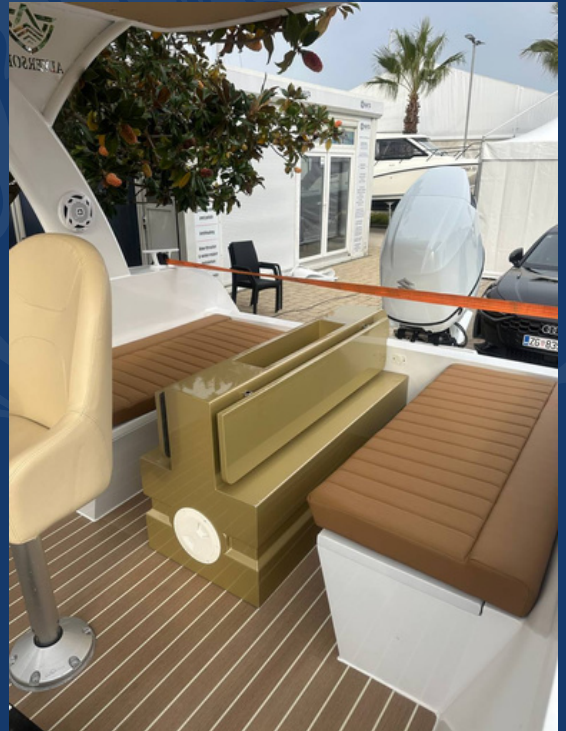
# VOLUPTAS



# VOLUPTAS

- 🔧 Design Category: C
- 🔧 Overall length (m): 7.45
- 🔧 Beam (m): 2.46
- 🔧 Number of persons: 11
- 🔧 Maximum recommended load (kg): 1400
- 🔧 Recommended engine power (kW/HP): 184/250
- 🔧 Fuel tank (l): 150

Price from 42 000 euros excl. VAT,  
without engine



# Pitrix 725



# Pitrix 725

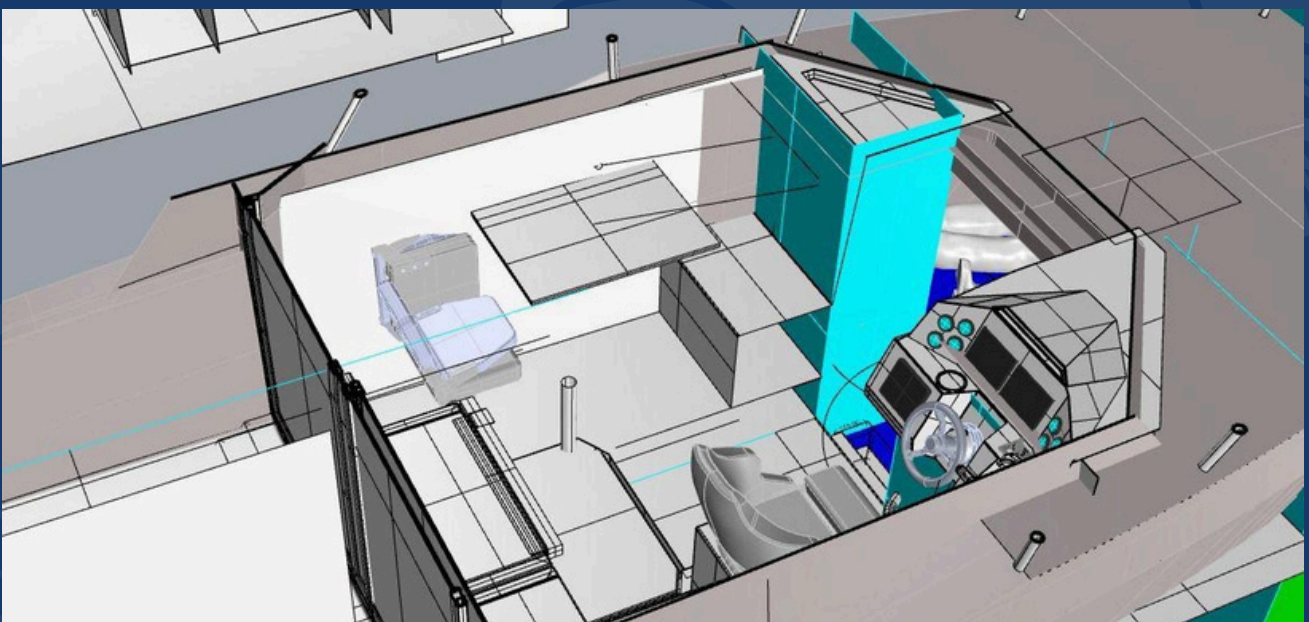
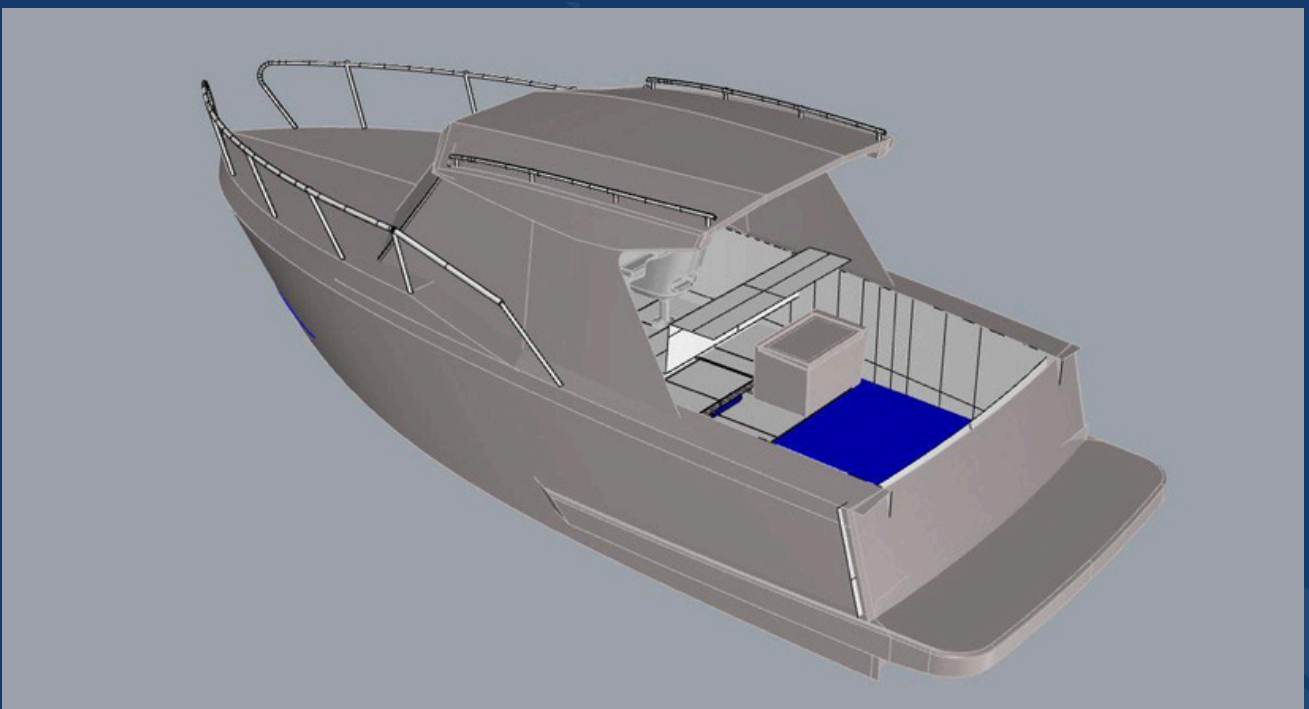
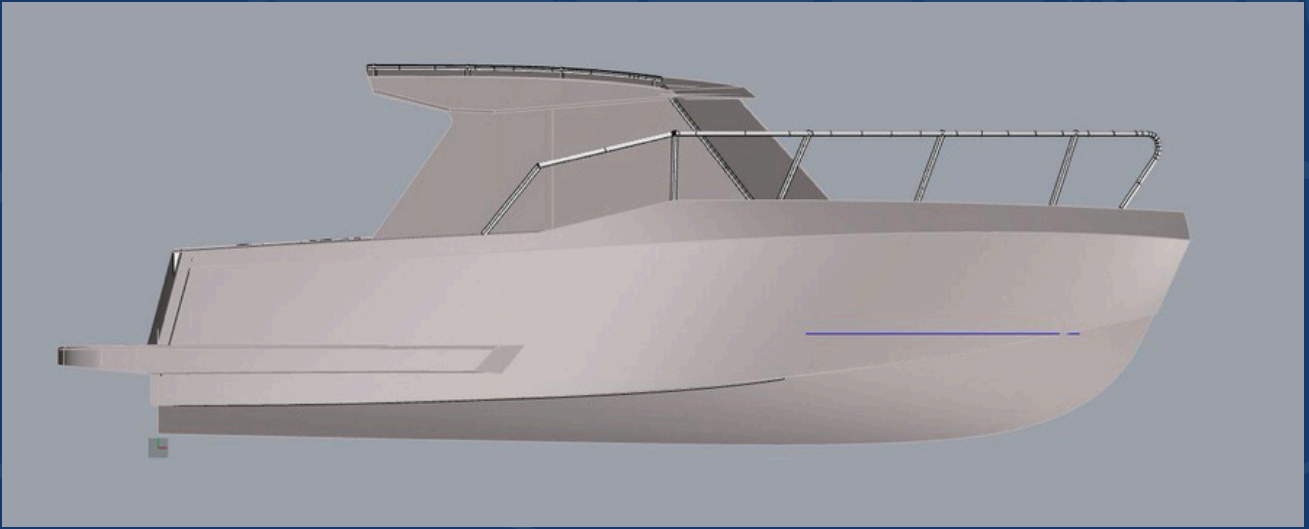
- 🔧 Design Category: C
- 🔧 Length: 7.25 m
- 🔧 Beam: 2.45 m
- 🔧 Number of person: 4
- 🔧 Maximum recommended load (kg): 500 kg
- 🔧 Recommended engine power (kW): 220
- 🔧 Fuel tank (l): 215

- ✅ Sleeping cabine for two persons
- ✅ Water tank 50l, shower on the stern platform, chemical toilet, electric anchor winch with counter

Price from 60 000 euros excl. VAT ,  
without engine



# Tombrix 895

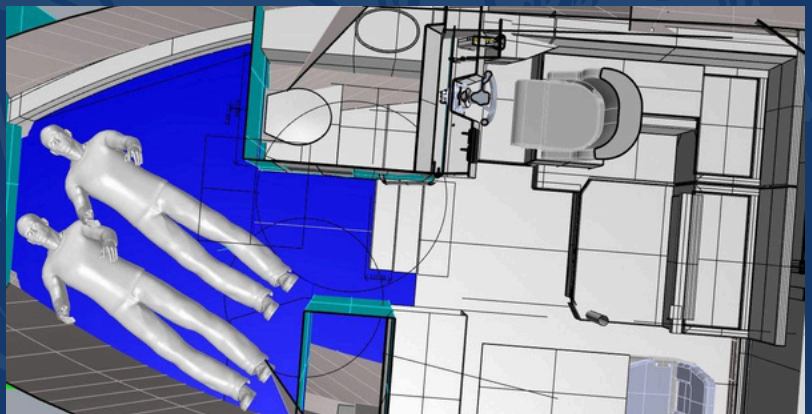
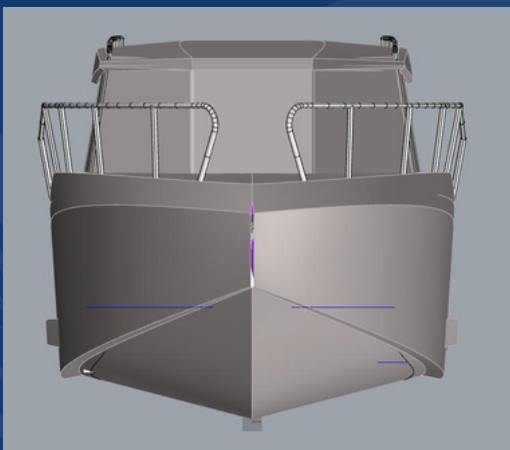
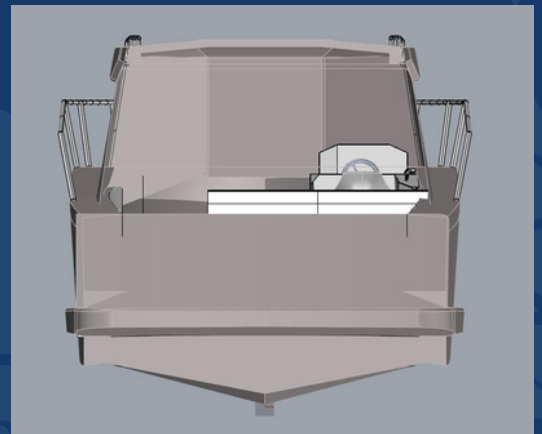
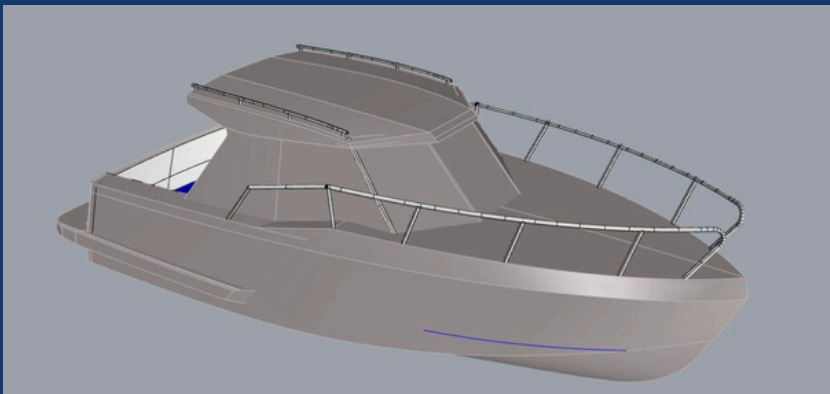


# Tombrix 895

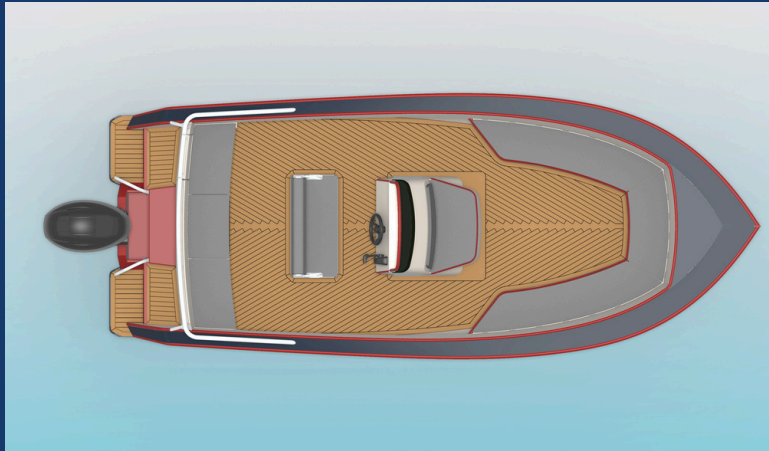
- 🔧 Design Category: C
- 🔧 Overall length (m): 9,29
- 🔧 Hull length (m): 8,96
- 🔧 Beam (m): 3,19
- 🔧 Number of person: 8
- 🔧 Maximum recommended load (kg): 1330
- 🔧 Recommended engine power (kW): 2x185
- 🔧 Fuel tank (l): 500

- ✅ Sleeping cabine for two persons
- ✅ Water tank 150 l, bathroom with toilet, electric anchor winch with counter

Price from 120 000 euros excl. VAT ,  
without engine



# Nava 599

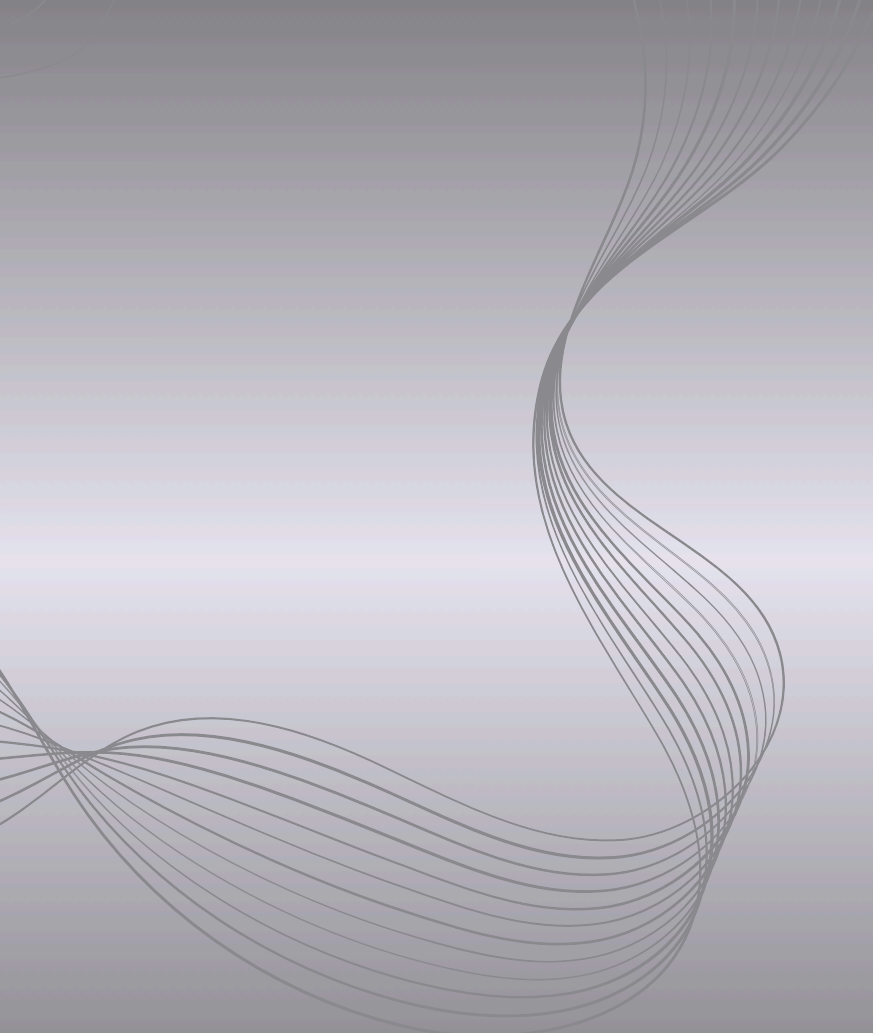


# Nava 599

- 🔧 Length: 5.99 m
- 🔧 Beam: 2.25 m
- 🔧 Maximum outboard power: 75/100 kw/hp
- 🔧 Design Category: C
- 🔧 Number of persons: 8
- 🔧 Load capacity 800 kg
- 🔧 Fuel tank (l): 120

Price from 30 000 euros excl. VAT ,  
without engine





**Love2sail d.o.o**



**[www.love2sail.hr](http://www.love2sail.hr)**



**[info@love2sail.hr](mailto:info@love2sail.hr)**



**+385 91 9139 060**



**Croatia, Vinkovci**